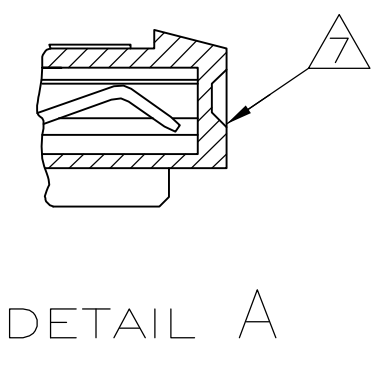
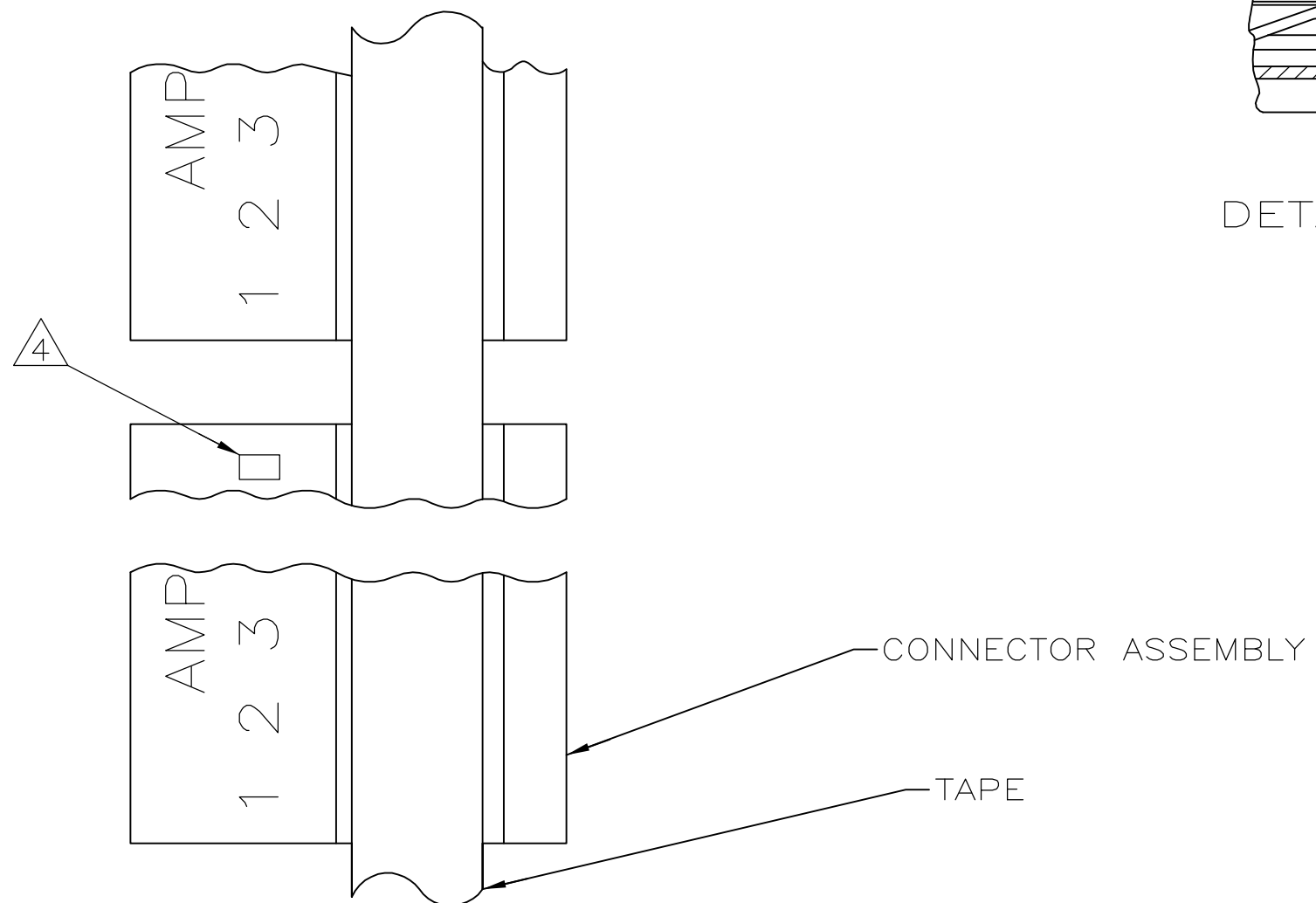
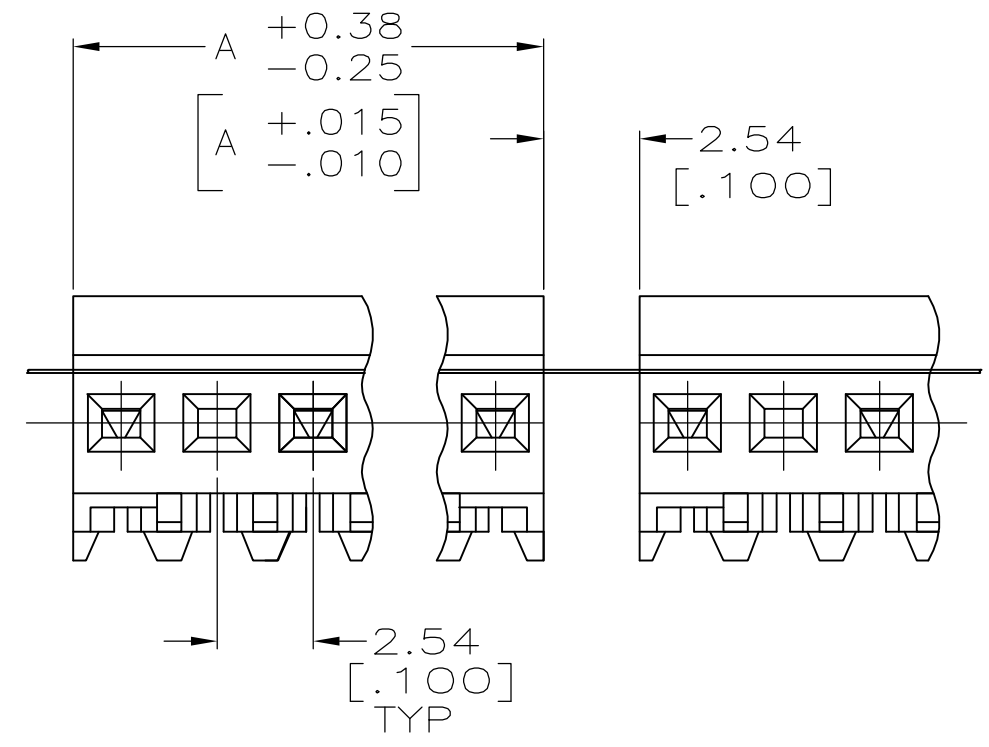
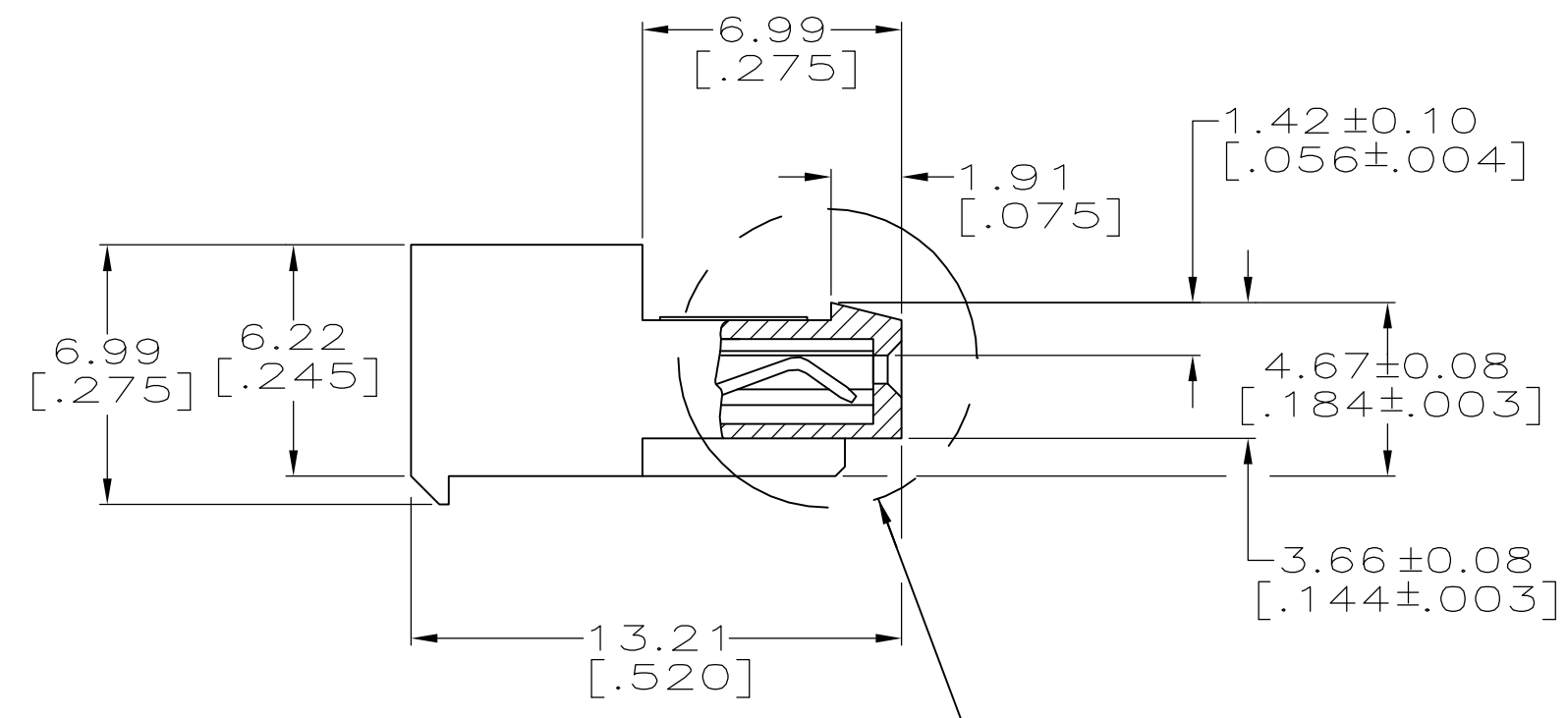


THIS DRAWING IS UNPUBLISHED. RELEASED FOR PUBLICATION
 © COPYRIGHT BY TYCO ELECTRONICS CORPORATION. ALL RIGHTS RESERVED.

Loc		DIST		REVISIONS			
P	LTR	DESCRIPTION		DATE	DWN	APVD	
C		REVISED PER ECO-07-003757		01MAR07	KW	DB	



- 1 MATERIAL: CONNECTOR - NYLON UL94V-2 (WHITE).
 CONTACTS - 0.30[.012] THICK COPPER ALLOY
 MATTE WHISKER MITIGATED TIN
 0.00203[.000080] MIN THICKNESS
 OVER NICKEL UNDERPLATE OR BRIGHT
 TIN-LEAD 93/7 0.00203[.000080] MIN
 THICKNESS. SEE FINISH COLUMN FOR
 PLATING TYPE.
- 2. CONTACTS ACCEPT 24 AWG WIRE WITH 1.52[.060] MAX
 INSULATION DIAMETER.
- 3. CONTACTS MUST ACCEPT 0.36-0.51[.014-.020] SQUARE
 OR ROUND POST AND REMAIN LOCKED IN POSITION.
- 4 IDENTIFICATION NUMBER FOR LAST CIRCUIT MAY
 NOT APPEAR ON ALL ASSEMBLIES.
- 5. DIMENSIONS IN BRACKETS ARE IN INCHES.
- 6. HOUSING FEATURES ARE: CLOSED END WITH LOCKING
 RAMP & LED CONTACT.
- 7 DETAIL A SHOWS CIRCUIT NO.2 MOLDED CLOSED.



SEE DETAIL A
 FOR CLOSED CIRCUIT

DIM A	NO OF CKTS	PART NO
7.62 [.300]	3	3-644872-3
7.62 [.300]	3	644872-3

METRIC

THIS DRAWING IS A CONTROLLED DOCUMENT.

DIMENSIONS: mm [INCHES]	TOLERANCES UNLESS OTHERWISE SPECIFIED:	DWN K. WHITAKER 23JUNE2005	Tyco Electronics Corporation Harrisburg, Pa 17105-3608
	0 PLC ± -	CHK D. BOSSI 23JUNE2005	
	1 PLC ± -	APVD D. BOSSI 23JUNE2005	
	2 PLC ± -	PRODUCT SPEC 108-1050	
	3 PLC ± 0.13 [.005]	APPLICATION SPEC 114-1019	NAME MTA-100 CONNECTOR ASSEMBLY, 24 AWG, NO.2 CIRCUIT CLOSED, FOR .014 TO .020 POST
	4 PLC ± -	WEIGHT -	SIZE A2
MATERIAL 1	FINISH 1	CUSTOMER DRAWING	CAGE CODE 00779
			DRAWING NO C=644872
			RESTRICTED TO -
			SCALE 5:1
			SHEET 1 OF 1
			REV C